



ProneView® Molded Spinal Table Positioning Pack

Catalog Number: D28701

Instructions:

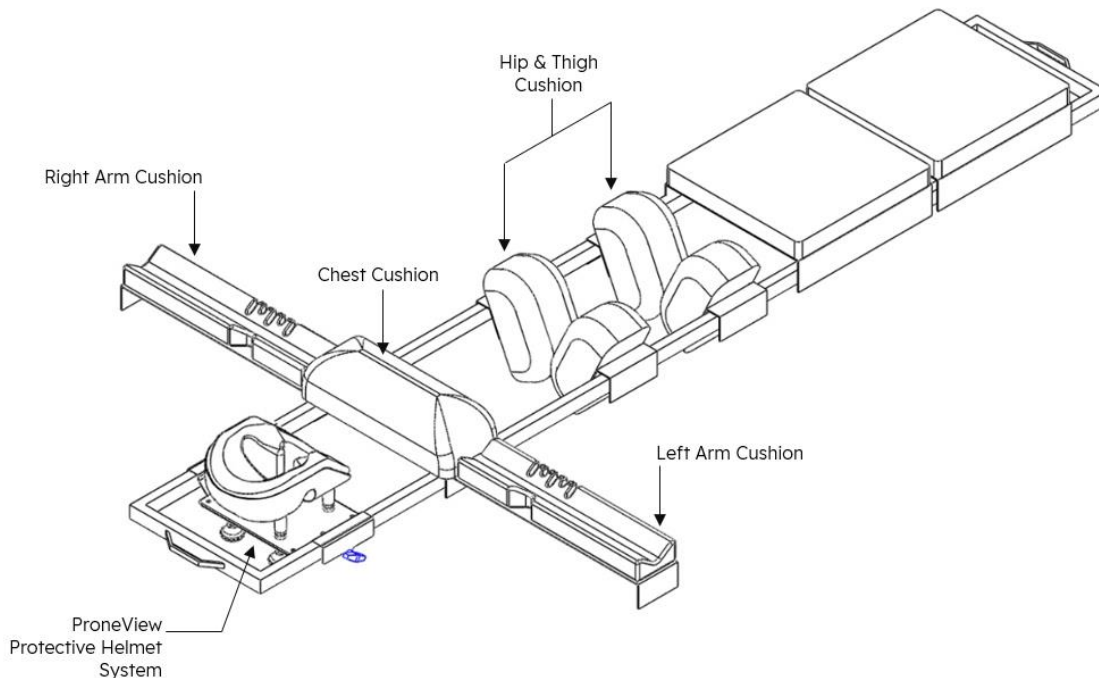
Positioning Pack to be used with ProneView® Protective Helmet System.

Note: Open all packages 60 minutes prior to use.

CUSHIONS ARE NOT MADE WITH NATURAL RUBBER LATEX

Open the package.

- 1) This package contains the following:
 - 1 Each ProneView® Cushion Insert, Large
 - 1 Each Molded Chest Cushion
 - 4 Molded Hip/Thigh Cushions
 - 2 Molded Arm Cushions (1 Right and 1 Left)
- 2) Open the ProneView® Cushion and follow instructions provided.
- 3) Open and place the Chest Cushion over the chest support and ensure it is secure.
- 4) Open and place the Hip/Thigh Cushions over the support and secure using the elastic strap.
- 5) Open and position the Right and Left Arm Cushions as shown in the illustration below.
- 6) Once the patient has been transferred onto the spinal surgical table top, lift each side of the patient and ensure that there are no skin folds and there is no pressure to the patient's nipples.
- 7) This pack is non-sterile and disposable.



4144 Avenida de la Plata, Oceanside, California 92056 (760) 758-4550

Fax (760) 758-1465 Nationwide (800) 546-4550

www.dupaco.com

P/N M90209 Rev. C